

## CONNECTING AND OPERATING

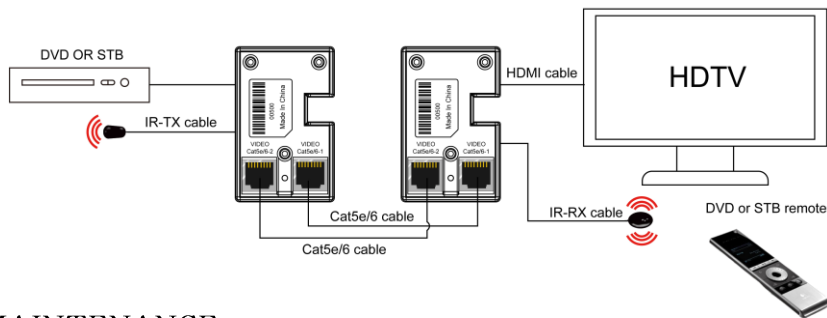
- 1) Connect the HDMI input source (such as HD-DVD/ PS3 /STB etc.) into EW04(TX).
- 2) Connect two CAT-5E or CAT6 cables to both the outputs of EW04(TX) and inputs of EW04(RX). Please pay attention to the right connection of the two cables, CAT5e/6-1->CAT5e/6-1 (The cables must follow the standard of EIA/TIA 568B).
- 3) Connect the HDMI output (such as: HD-LCD/HD-DLP) into EW04(RX).
- 4) Connect the IR TX UNIT into EW04(TX). IR TX; Connect the IR RX UNIT into EW04(RX). IR RX.

NOTE: In most cases the power adapter could be taken off. The power adapter is only

needed when the signal source has no sufficient power driving ability.

NOTE: Insert/Extract cables gently.

### Typical Application



## MAINTENANCE

Clean this unit with a soft, dry cloth. Never use alcohol, paint thinner or benzene to clean this unit.

## PRODUCT SERVICE

### 1) Damage requiring service:

The unit should be serviced by qualified service personnel if:

- (a) The DC power supply cord or AC adaptor has been damaged;
- (b) Objects or liquids have gotten into the unit;
- (c) The unit has been exposed to rain;
- (d) The unit does not operate normally or exhibits a marked change in performance;
- (e) The unit has been dropped or the cabinet damaged.

2) **Servicing Personnel:** Do not attempt to service the unit beyond that described in these operating instructions. Refer all other servicing to authorized servicing personnel.

- 3) **Replacement parts:** When parts need replacing ensure the servicer uses parts specified by the manufacturer or parts that have the same characteristics as the original parts. Unauthorized substitutes may result in fire, electric shock, or other hazards.

4) **Safety check:** After repairs or service, ask the servicer to perform safety checks

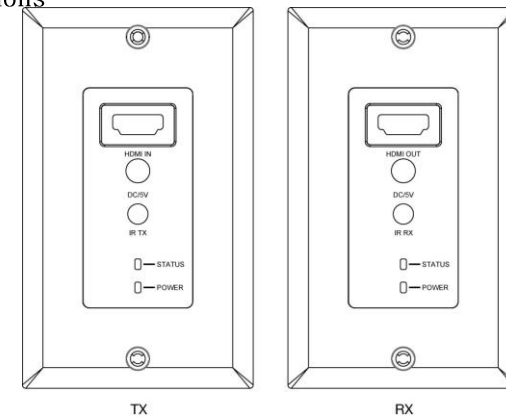
to confirm that the unit is in proper working condition.

4

## HDMI Wall Plate Extender

MODEL:LM-EW04

Operating Instructions



### Dear Customer

Thank you for purchasing this product. For optimum performance and safety, please read these instructions carefully before connecting, operating or adjusting this product. Please keep this manual for future reference.

## FEATURES

Each set includes one transmitter and one receiver

Following North American wall plate standard.

Modular design.

Use Dual UTP cable (Cat5E/6) to substitute HDMI cable to achieve long distance transmission, the UTP Cable follows the standard of IEEE-568B.

Transmission distance reaches up to 50 meters under the video format of 1080P.

Auto-adjustment of feedback, equalization and amplify  
 Signaling rates up to 2.25Gbits in support of 1080P display.  
 With Infrared control signal passing through function.  
 Both inner and outer power connectors provided.  
 With UTP cable fixer.

DC 5V power

**NOTICE**

Our company reserve the right to make changes in the hardware, packaging and any accompanying documentation without prior written notice.

**TABLE OF CONTENTS**

- Specifications
- Package Contents
- Panel Descriptions
- Connecting and Operating
- Typical Application
- Maintenance
- Product Service
- Warranty

**SPECIFICATIONS**

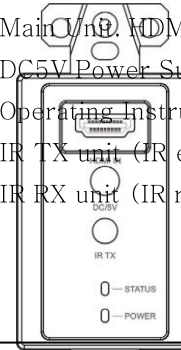
Operating	-5 to +35°C (+23 to +95°F)
Operating Humidity	5 to 90%RH (No Condensation)
Input Video Signal	0.5-1.0 Volts P-P
Input DDC Signal	5 volts p-p(TTL)
Support Video Format	DTV/HDTV:480i/576i/480P/576P/720P/1080
Video Output	HDMI , HDCP 1.1
Support Audio Format	DTS-HD Master Audio、Dolby true-HD etc.
Transmission Distance	1080P 8-bit 50m(Maximum) over CAT5E/CAT6 /24AWG/Solid (Recommended: 24AWG Cat5e/6)
Power consumption	3watts (Maximum)
Dimension (L×W×H)	115x70x35mm
IR wavelengh	Wavelength:940nm,frequency 38kHz
Net Weight	260g(Pair)

Note1: Specifications are subject to change without notice. Mass and dimensions are pproximate.

Note2: When in 36Bits deepcolor mode, we suggest set the HDMI source device to output 1080i or 720p.

**PACKING CONTENTS**

- 1) Main Unit, HDMI Wall Plate
- 2) DC5V Power Supply
- 3) Operating Instructions
- 4) IR TX unit (IR emitter cable)
- 5) IR RX unit (IR receiver cable)

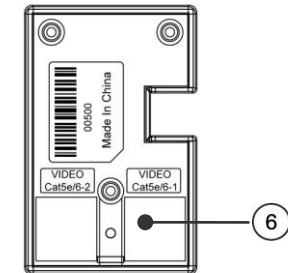
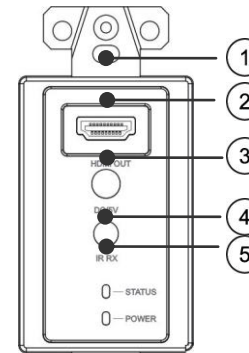


**PANEL DESCRIPTIONS**

**Transmitter**

Front Panel

Rear Panel



- ① HDMI input port
- ④ Indicator of HDMI input output ports

- ② Power input port
- ⑤ Indicator of power input
- ③ IR/TX
- ⑥ CAT5e/6

**Receiver**

Front Panel

Rear Panel





① HDMI output port

④ Indicator of HDMI input  
Input ports

② Power input port

⑤ Indicator of power input

③ IR/RX

⑥ CAT5e/6